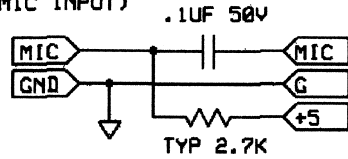


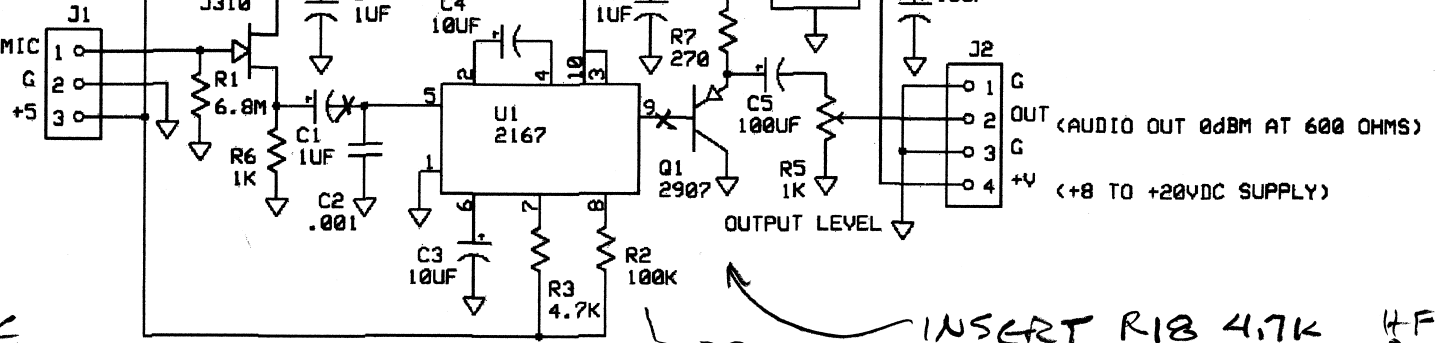


# BLD VERSION NOISE GATE

(ELECTRET MIC INPUT)



(D-104 MIC INPUT) MIC

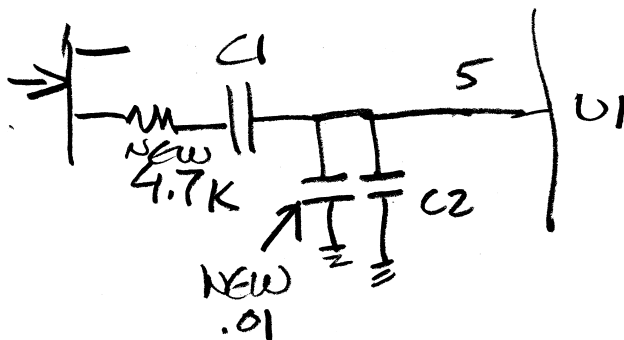


C1 CHANGE  
1uF → 0.1uF?

CHANGE C2 TO .01  
INSERT 4.7K OR 3.3K

INSERT R18 4.7K HF  
C17 0.01 ROLL OFF  
22K GAIN-COMPRESSION  
R3 REMOVE NOISEGATE (OR JUMPER) = 22K  
JUMPER OUT = NOISEGATE  
OUT

C3 = 10uF GND



C5  
100uF @ 3KΩ  
1.5Hz  
MAKE IT  
1uF  
NOW 150Hz  
TO REMOVE  
LF NOISE