

2015

THE 80/40 METER SUPER SENIOR AM TRANSMITTER

The microphone and auxiliary connections are the same as for the 160/80 meter Super Senior. Microphone pin 1 is ground, pin 2 is audio, 600 ohms at 0 dBm nominal. Pin 3 is +8V to power the audio processor and pin 4 is push to talk which is activated by a switch closure to ground.

The AUX connector on the rear panel has single pole double through relay contacts for receiver muting and another PTT connection. Pin 1 is ground, pin 2 is PTT, pin 3 is the normally closed mute contact, pin 4 is the pole and pin 5 is the normally open contact. The mute relay contacts are rated for 120V at 1A maximum.

There are two fault conditions which will latch the transmitter off. It is reset by cycling AC power. The overdrive shutdown will be triggered by a large, sustained overmodulation condition. High SWR will also cause a latched shutdown.

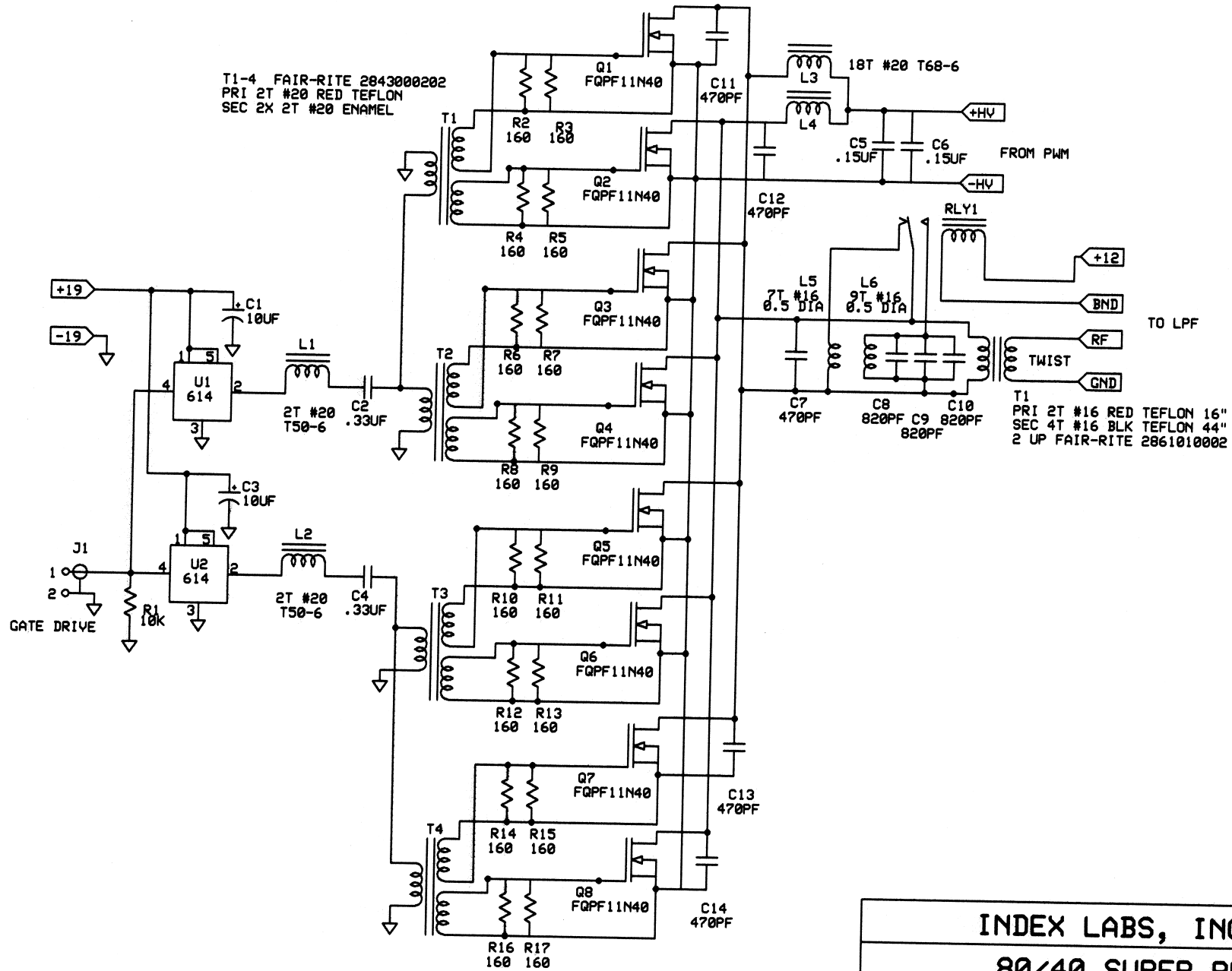
The transmitter has wide audio bandwidth, in excess of 10KHz. It is essential that the external audio source provide the proper overall audio bandwidth limits.

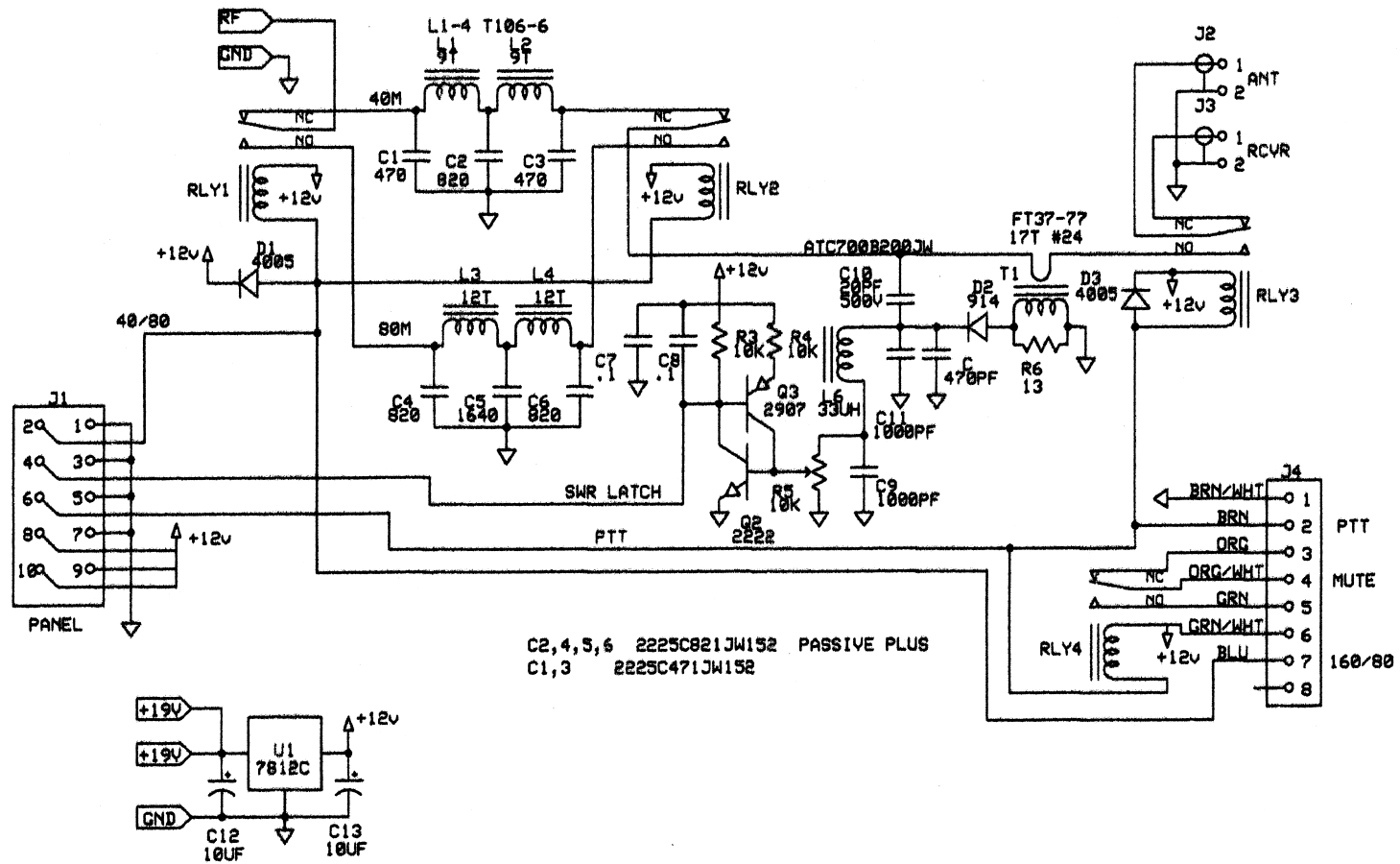
The carrier power should not be set above 375 watts. Because the peak power cannot exceed 1,500 watts, the carrier should not be set above 375 watts for 100% modulation. The power can drift upward 10 to 20 watts from a cold start.

Take care not to block airflow into the fans or out the back of the transmitter. The FREQ control sets the operating frequency from 3600 to 4000 KHz and 7100 to 7300 KHz in 1 KHz steps. Band change occurs automatically as the frequency is increased or decreased beyond the band edge. Frequency can only be changed in receive mode.

The SPOT switch provides a signal that can be heard in the receiver but not transmitted. When the SPOT and XMIT switched are both on, approximately 20 watts are provided for tune up purposes.

CAUTION: Do not turn on or off the transmitter while in Tune or Transmit. Damage will occur.





INDEX LABS, INC

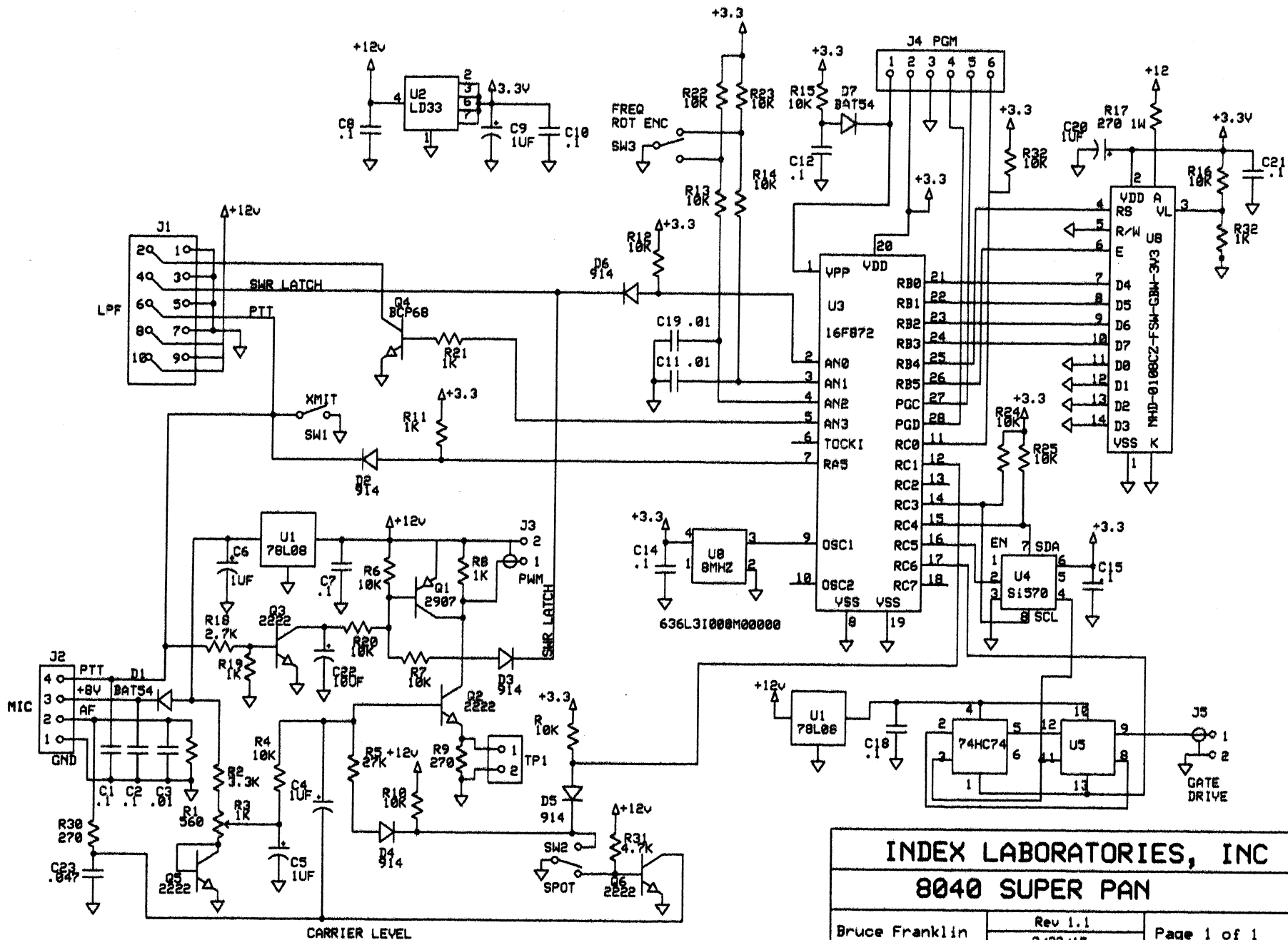
8040 SUPER LPF

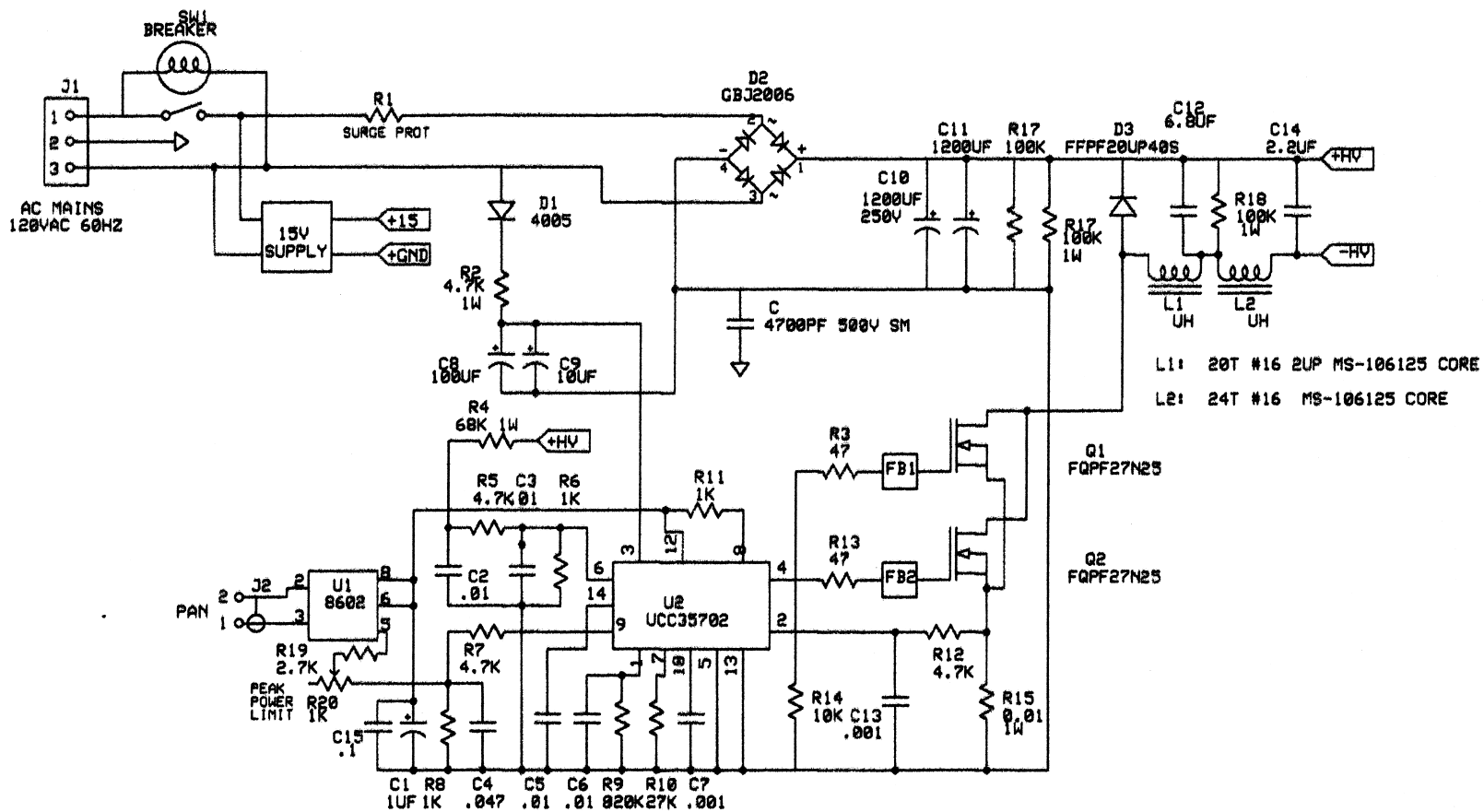
Bruce Franklin

Rev 1.0

8/20/14

Page 1 of 1





INDEX LABS, INC

8040 SUPER PWM

Bruce Franklin

Rev 1.2

3/22/15

Page 1 of 1

